



Schwiebacher Abbruch Technik

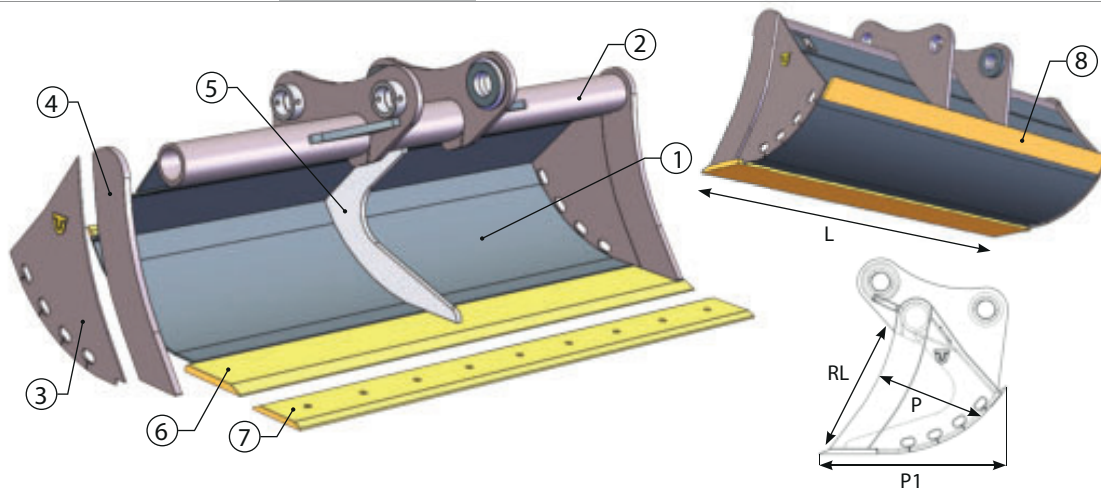
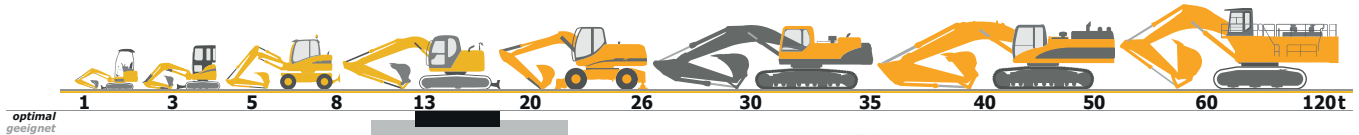
Werkstatt • Lager • Service seit 1977

D-82229 Seefeld (bei München)

Graf-Toerring-Seefeld-Strasse 9b / 17

Tel. 08152 / 998 969-0 Fax.- 9

T.55 GRABENRÄUMLÖFFEL (flaches Profil) optimal* für Bagger von 12,6 bis 16 to



Classe Class	Codice Code	L mm	Cap. SAE Lt	Peso Kg Weight	RL mm	P mm	P1 mm	Listino € Price List	Sottolama € Bolt on blade
T.55 12,6 - 16 ton	WPC055-160	1600	446	364	605	490	810	2.346,00	294,00
	WPC055-170	1700	476	381				2.418,00	312,00
	WPC055-180	1800	507	398				2.486,00	328,00
	WPC055-190	1900	538	415				2.558,00	346,00
	WPC055-200	2000	569	432				2.628,00	368,00
	WPC055-210	2100	600	449				2.698,00	386,00
	WPC055-220	2200	630	475				2.768,00	402,00
		1	2	3	4	5	6	7 Optional	8
Materiale	Material	S355	S355	S355	S355	S355	HB 400	HB 400	HB 400
Spessore	Thickness	8 mm	127 x 14 mm	6 mm	20 mm	15 mm	200 x 25 mm	203 x 19 mm	110 x 16 mm

*optimal = Standard-Bagger. Andere Klassen/Größen bedingt geeignet. Bei Bedarf bitte anfragen!

T.55 Akermann H 5; **Atlas** 1302/1304M/1304LC/1404M/14 04LC; **Benati** 90/120/140/145/3.15/3.16/3.17; **Benfra** 4R/4C/5/9.05/9.06; **Case** 588/9013/CX 130/CS 135SR/WX 125/WX 145; **Caterpillar** EB 120/205/206/M 312/M 313C/M 315/311C/312C/314C; **Cosmoter** BAT 12/14; **Daewoo Doosan** DH 130.2/S 110/S 130W-III/S 1 30LCV/S 140WV/S 160W V/S 140LCV/S 150LCV; **Fai** 1000 C/CH/GTH; **Fiat Hitachi** FH 120/FH 125W/FH 130.3/EX 135; **Fiat Kobelco** E 13 5/E 135SR/E 145W; **Fiat-Allis** E 12/FE 14/FE 16; **Ford** 42; **Furukawa** W 625E/W 630/W 635/W 725LS/W 730LS; **Halla** HE130W/H E 130LC; **Hitachi** ZX 130/ZX 135US/ZX 130W; **Hydromac** H 75; **Hyundai** 120W/R 130W-3/140W-7/R 130LC-3/R 140LC-7; **JCB** JS 130/JS 130W/JS 140/JS 145W; **Kobelco** SK 120/SK 135SR/LC/90 3B; **Komatsu** PC 130/PW 130-7/PC 138US-2/PC 150.3; **Lalesi** 50/221/222; **Liebherr** R 310B/R 312/A 312 LIT/A 314/A 316/A 900; **Mecalac** 714MC/714MW; **MF** 330; **New Holland** E 145/E 135SR/LC/SRL/MH CITY/MH 4.6; **O&K** RH 4/RH 4PLUS/RH 4PMS/RH CITY/MH 4/MH CITY/MHS/ MH PLUS/RH 4.5/RH PLUS; **PMI** 700/8.15/8.17; **Poclain** TCS 45/60; **ROCK** 75; **Samsung** SE 130LC.2/SE 130W.3; **Takeuch** TB 1140; **Volvo** EC 130/EW 130/EC 140B/EW 140B/EC 150/EW 160 B.