



Schwienbacher Abbruch Technik

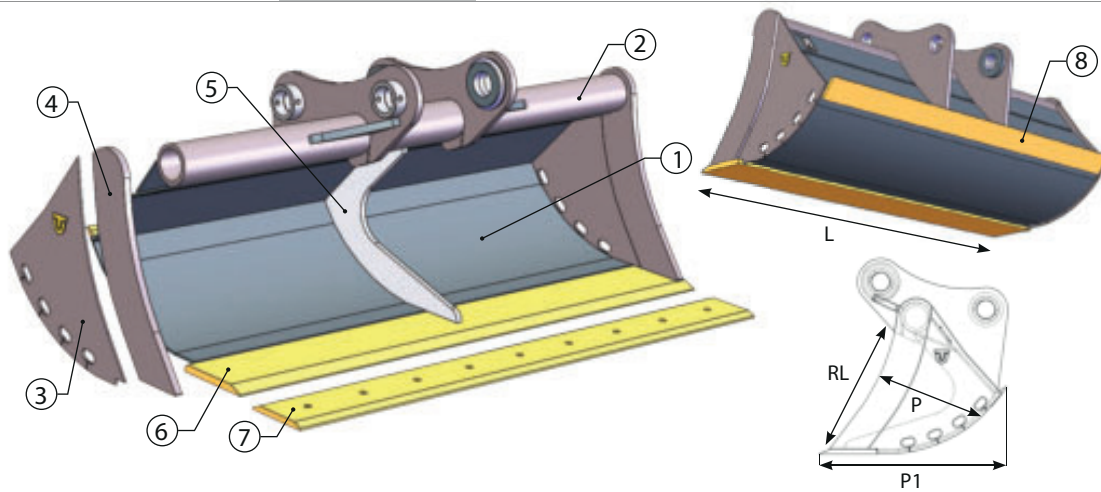
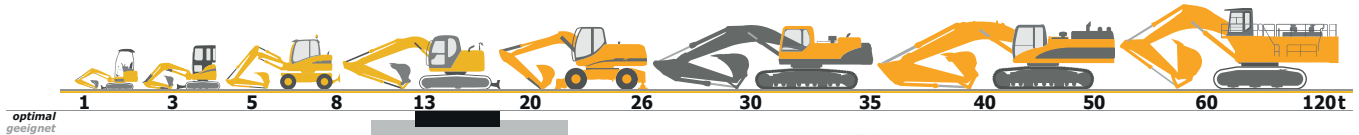
Werkstatt • Lager • Service seit 1977

D-82229 Seefeld (bei München)

Graf-Toerring-Seefeld-Strasse 9b / 17

Tel. 08152 / 998 969-0 Fax.- 9

T.60 GRABENRÄUMLÖFFEL (flaches Profil) optimal* für Bagger von 16 bis 19 to



Classe Class	Codice Code	L mm	Cap. SAE Lt	Peso Kg Weight	RL mm	P mm	P1 mm	Listino € Price List	Sottolama € Bolt on blade
T.60 16 - 19 ton	WPC060-160	1600	557	441	680	545	900	2.578,00	294,00
	WPC060-170	1700	596	459				2.632,00	312,00
	WPC060-180	1800	635	477				2.686,00	328,00
	WPC060-190	1900	674	495				2.740,00	346,00
	WPC060-200	2000	713	513				2.794,00	368,00
	WPC060-210	2100	752	531				2.848,00	386,00
	WPC060-220	2200	791	564				2.902,00	402,00
		1	2	3	4	5	6	7 Optional	8
Materiale	Material	S355	S355	S355	S355	S355	HB 400	HB 400	HB 400
Spessore	Thickness	8 mm	127 x 14 mm	8 mm	20 mm	20 mm	200 x 25 mm	203 x 19 mm	110 x 16 mm

*optimal = Standard-Bagger. Andere Klassen/Größen bedingt geeignet. Bei Bedarf bitte anfragen!

T.60 Akermann H 7B/H 7C; **Atlas** 1604M/1604LC/1622; **Benati** 160/3.18; **Benfra** 6C/7R/7.07/7.08/9.07/9.08/9.20; **Case** 688/688B/788/CX 160/WX 150/WX 165/WX 170/CX 180; **Caterpillar** 211/212/213B/214/214B/315/317/318/M 316C/M 318C/315C; **Cosmoter** BAT 16; **Daewoo Doosan** DH 170/DH 180/S 170III/V/S 175LCV/S 180WV; **FAI** 1100; **Fiat Hitachi** FH 150.3/EX 165/FH 150 W.2/FH 150W.3; **Fiat Kobelco** E 165 LC/E 175W; **Fiat-Allis** FE 18; Ford 44/45; **Furukawa** 635E; **Hitachi** ZX 160LC/ZX 180LC/ZX 160W/ZX180W; **Hydromac** H 85; **Hyundai** R 160LC-3/7/R 170W-3/R 180LC-3/7; **JCB** JS 150/JS 160LC/JS 160W/JS 175W/JS 180LC; **Kobelco** SK 150/SK 160LC/904/905B/SK 170LC; **Komatsu** PC 160-7/PW 160-7/PW 170/PC 180-7/PW 1 80-7; **Laltes** 80/341/341HD; **Liebherr** A 9 00C/A 900B LIT/A 902 LIT/A 314 LIT/A 316 LIT/R 317; **MF** 350D/350E; **New Holland** E 175/MH PL US/MH PLUS C/MH 5.6; **O&K** RH 5/RH 5PLUS/RH 5 PMS/MH 5/MH 5PMS/RH 5.5; **PMI** 900/8.18; **Poclair** 61/75/688; ROCK 100; **Samsung** SE 170W.3; **Volvo** EC 160B/EC 170/EW 170/EC 180B/EW 180B.

Info: 05/2021