



Schwienbacher Abbruch Technik

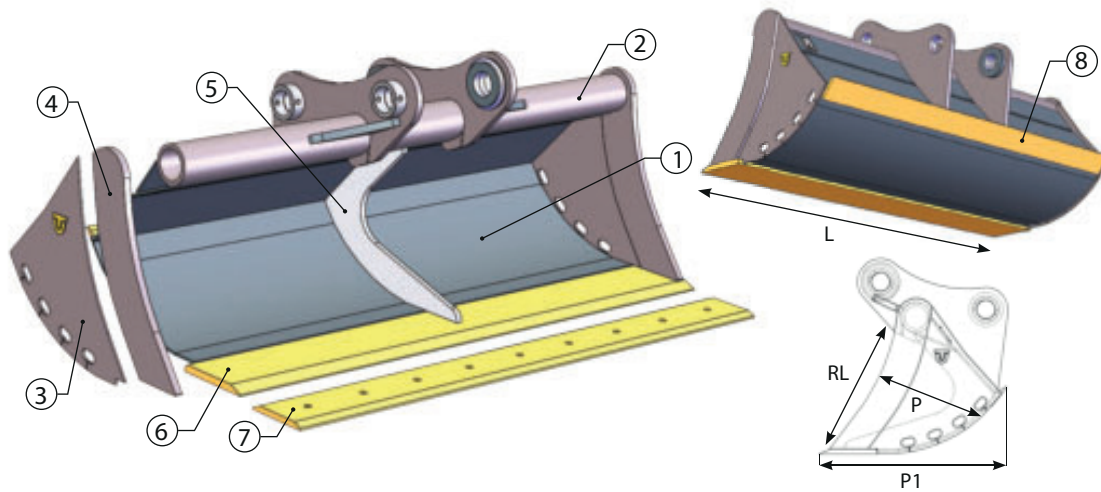
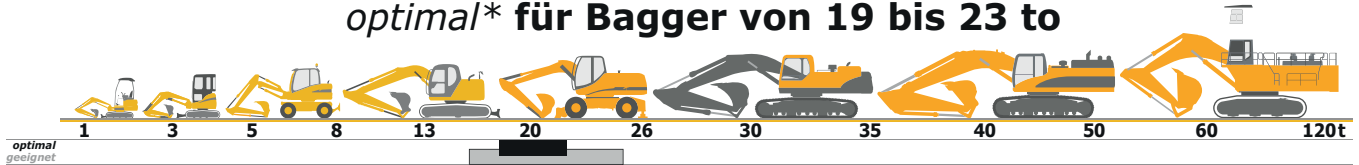
Werkstatt • Lager • Service seit 1977

D-82229 Seefeld (bei München)

Graf-Toerring-Seefeld-Strasse 9b / 17

Tel. 08152 / 998 969-0 Fax.- 9

T.65 GRABENRÄUMLÖFFEL (flaches Profil) optimal* für Bagger von 19 bis 23 to



Classe Class	Codice Code	L mm	Cap. SAE Lt	Peso Kg Weight	RL mm	P mm	P1 mm	Listino € Price List	Sottolama € Bolt on blade
T.65 19 - 23 ton	WPC065-160	1600	652	469	740	580	960	3.052,00	294,00
	WPC065-170	1700	698	490				3.142,00	312,00
	WPC065-180	1800	744	511				3.230,00	328,00
	WPC065-190	1900	791	532				3.320,00	346,00
	WPC065-200	2000	837	553				3.406,00	368,00
	WPC065-210	2100	883	574				3.496,00	386,00
	WPC065-220	2200	929	613				3.582,00	402,00
		1	2	3	4	5	6	7 Optional	8
Materiale Material		S355	S355	S355	S355	S355	HB 400	HB 400	HB 400
Spessore Thickness		10 mm	127 x 14 mm	8 mm	20 mm	20 mm	200 x 25 mm	203 x 19 mm	110 x 16 mm

*optimal = Standard-Bagger. Andere Klassen/Größen bedingt geeignet. Bei Bedarf bitte anfragen!

Atlas 1702D/1704D/1704LC; **Benati** 190CSB/3.20/3.21; **Benfra** 8C/9.09; **Case** 888/888B/988/9021/CX 210/WX 185/WX 200/WX 210; **Caterpillar** 215C/219C/318B/319C/M 320/M 322C; **Cosmoter** BAT 18C; **Daewoo Doosan** S 200WIII/V/S 210WV/DH 220LC/S2 20LCVIII/V/S 225LCV; **FAI** 1200/1300CH/GTH/1400/1500; **Fiat Hitachi** FH 200W.3/EX 200/EX 215; **Fiat Kobelco** E 200SR/E 215 E; **Fiat-Allis** FE 20; **Ford** 47; **Furukawa** 640E/W 735LS/W 738LS; **Hitachi** ZX 210/ZX 210LC/ZX 21 0N/ZX 210W/ZX 225USR/ZX 225USRLC/ZX 225US/ZX 225USLC; **Hydromac** H 95/H 105/H 115; **Hyundai** R 200W/R 200LC/R 210LC-3/7; **JCB** JS 200W/JS 200 LC/JS 210/JS 220; **Kobelco** SK 200/SK 210LC/907/SK 200SR; **Komatsu** PC 200/PC 210/PC 228US-3/P W 200-7/PW 210/PW 220-7; **Laltes** 441HD; **Liebherr** A 904C/A 904 LIT/A 912 LIT/A 914B/A 914 LIT/R 900B/C LIT/R 904 L IT; **MF** 450D/450E; **New Holland** E 215/E/LC/E 195EL/LC/E 200SR/SRLC/MH 6.6/MH 8.6; **O&K** RH 6B/C/D/E/F/MH 6B/C/D/E/F/RH 6 COMPAC; **PMI** 822/9.21/9.22; **Poclair** 81/888; **ROCK** 130/135; **Samsung** SE 210LC.3/SE 210W.2; **Terex** TC 210 LC/TC 210NLC/TC 225LC/TC 225NLC; **Volvo** EC 200/EW 200/EC 210B.

Info: 05/2021